

PROJECT NAME: \_\_\_\_\_

LOCATION: \_\_\_\_\_

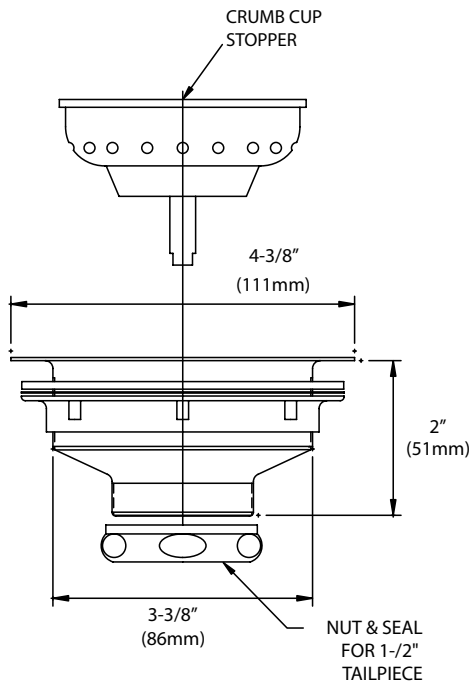
SPECIFIER ITEM NO. \_\_\_\_\_ QTY: \_\_\_\_\_

ENCORE PART NO. \_\_\_\_\_

Component Hardware<sup>®</sup> Stainless Steel  
Duo Basket Drain

## E38-101x Series

E38-1010 Stainless Steel Type 430  
E38-1012 Stainless Steel Type 18-8



Stainless steel duo basket drain for hand sinks

**Corrosion Proof Construction**

- Includes crumb cup/stopper
- Fits 3-1/2" sink opening
- Supplied with tail piece coupling nut and washer
- 1-1/2" NPSM waste outlet

*Dimensions shown in inches (mm) are for reference only  
and are subject to change.*