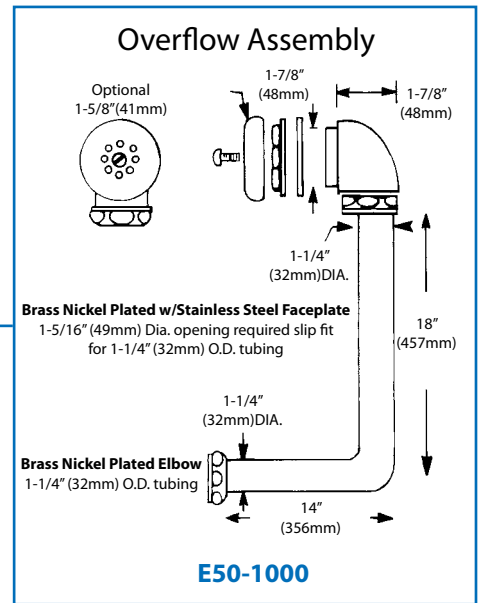
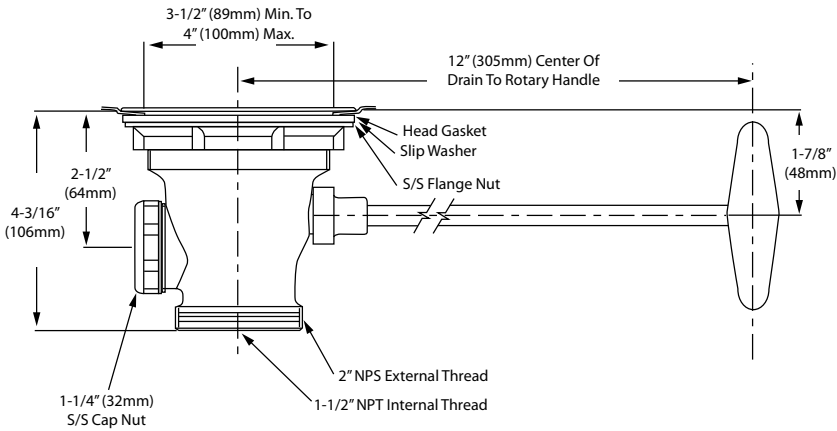


**DSS-8000**  
**DSS-8000-Q**

**DRAIN™**  
**MASTER**



1. Solid stainless steel Type 316 construction throughout
2. 3 times the flow rate of conventional lever drains
2. Patented rotary valve provides fast, unobstructed water evacuation
2. Full opening ball valve allows access for snaking or plunging from sink top eliminating costly service calls
3. Twist lock recessed removable beehive crumb-cup prevents clogging and insures continuous water flow
4. Self-adjusting heat and chemical resistant PTFE seals eliminate costly replacement of o-rings and conventional gaskets
5. Unique body style provides fast installation from sink top
6. Solid stainless steel remote handle assembly for smooth, easy operation
7. Universal body provides both 2" and 1-1/2" (51mm and 38mm) waste outlet connections
8. Fits standard 3-1/2" (89mm) sink opening
9. Can instantly convert to accept an overflow assembly eliminating double inventories
10. Optional flat strainer DSS-Y007

### Replacement Parts for DSS-8000 Drain

Model	Description
DSS-Y003	Replacement Crumb Cup
DSS-Y006	Optional Retainer Kit
DSS-0010	Repair Kit for DSS and DBN