

Component Hardware® Medium Duty  
 2-3/8" x 3-5/8" Plate Caster With Blue  
 Polyurethane Wheel

## C21-30xx

C21-3035 3-1/2" wheel, Non-Brake Caster

C21-3036 3-1/2" wheel, Brake Caster

C21-3040 4" wheel, Non-Brake Caster

C21-3041 4" wheel, Brake Caster

C21-3050 5" wheel, Non-Brake Caster

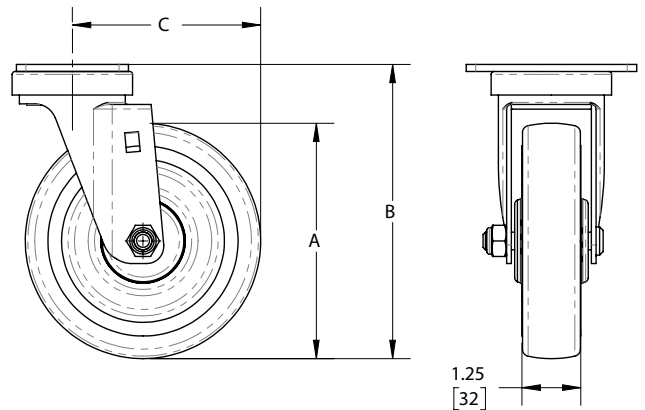
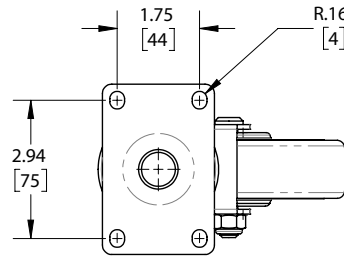
C21-3051 5" wheel, Brake Caster

Medium Duty 2-3/8" x 3-5/8" Plate Caster With Blue Polyurethane Wheel

### Medium Duty Construction

- Zinc plated steel yoke construction
- 1-1/4" (32mm) tread width
- Blue polyurethane wheel
- 2-3/8" x 3-5/8" (60mm x 90mm) mounting plate with mounting holes spaced on 1-3/4" x 3" (45mm x 75mm) centers
- Mounting holes accept 1/4" or 5/16" diameter bolts/screws
- Available with side brake

PART NUMBER	WHEEL DIAMETER (A)	LOAD HEIGHT (B)	SWIVEL RADIUS (C)	LOAD CAPACITY	BRAKE
C21-3035	3-1/2"	4-5/8"	3-1/8"	155 LBS	WITHOUT
C21-3036	3-1/2"	4-5/8"	3-1/8"	155 LBS	WITH
C21-3040	4"	5"	3-3/8"	155 LBS	WITHOUT
C21-3041	4"	5"	3-3/8"	155 LBS	WITH
C21-3050	5"	6-1/4"	4"	200 LBS	WITHOUT
C21-3051	5"	6-1/4"	4"	200 LBS	WITH



Dimensions shown in inches (mm) are for reference only  
 and are subject to change.

Shipping weight - 2.5lbs